

Crane Control Unit

KST31 swiveling



The KST31 is an ergonomically designed swiveling crane control chair which provides a high degree of comfort. The consoles, mounted to the driver's seat, swing with the seat. The consoles can be positioned to perfectly match any person by means of length, height and inclination adjustment.

The standard version includes:

Consoles:

The plastic consoles can be equipped with custom command and indicating devices.

Driver's seat:

The comfortable driver's seat KFS 11 is equipped with a spring loaded hydraulic vibration absorption system, including weight adjustment, air-permeable textile cover, arm rests and head rest.

Cross-member with swivel base:

The cover of the sheet steel cross-member including the driver's seat is forward foldable. Thereby all wirings, terminals and bushings are easily accessible during commissioning and maintenance. Swivel base has zero-tolerance bearings and rotation can be locked in 3° steps.

Surface treatment:

Base coat and textured varnish

Standard colour RAL 7035 light grey in combination with RAL 7016 anthracite



3

Example

	KST311	-U2	-M1	-F3	-LK	/	KFS 11	/	V85	/	V85	/	KL	/	X
Basic unit															
KST311	Consoles 160x520 mm with insert plate variant 1														
KST312	Consoles 160x520 mm with insert plate variant 2														
Base unit															
U2	Swiveling 180° left, 90° right with detent														
U3	Electric swiveling 180° left, 90° right														
U4	Non swiveling														
Attachments															
M1	Monitor mounting with monitor housing														
M2	Monitor mounting with monitor mounting bracket														
M3	Monitor mounting without monitor housing/ -mounting bracket														
USB	USB-plug socket 2-fold, 1 x 1,5 A (mounted in the right pocket)														
F3	Footrest KBF/716														
LK	Plate for horizontal manual adjustment for control units +/- 250 mm														
Driver's seat															
KFS11*	(Included in the delivery!)														
KFS9*															
KFS10*															
KFS12*															
*Description see Driver's seat page 248															

Technical details may vary based on configuration or application! Technical data subject to change without notice!

KST311 -U2 -M1 -F3 -LK / KFS 11 / V85 / V85 / KL / X

Mounting for equipment boxes

V...	Multi-axis Controller (see page 1)
S...	Single-axis Controller (see page 101)
D...	Double-handle Controller (see page 80)
N...	Control-switch (see page 142)
...	More command and indicating devices (see page 218)

Wiring

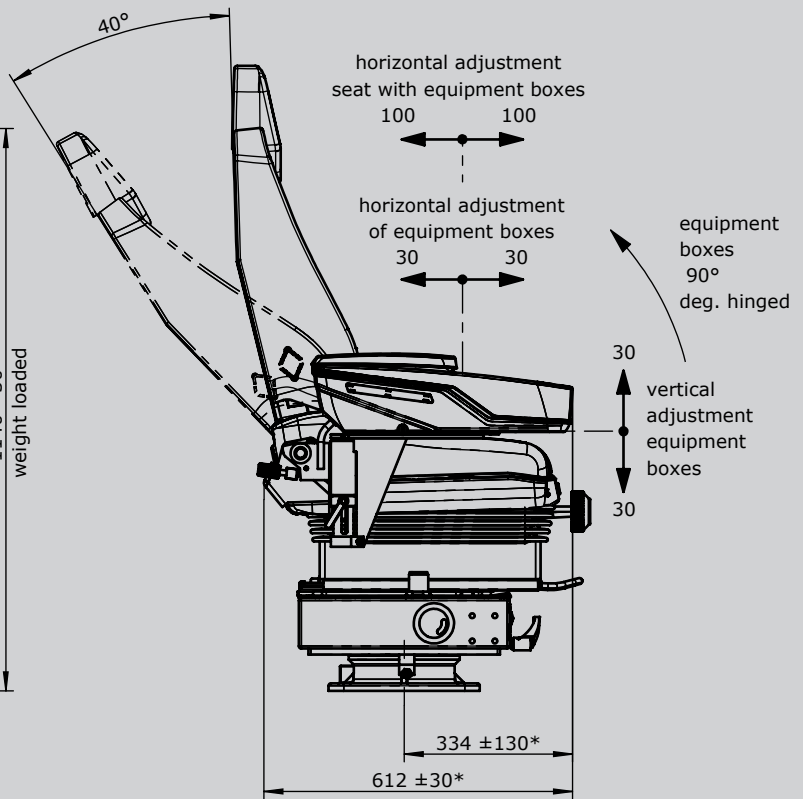
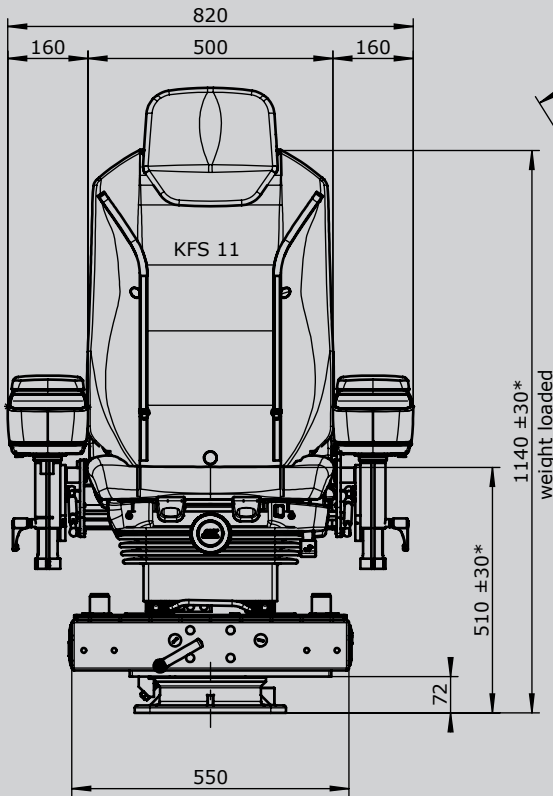
KL	Without wiring, but terminal block built in each terminal
KLV	On terminal block 4 mm with single wire 1 mm ² each terminal
KLV	On SPS (SPS provision) with single wire 1 mm ² each terminal
KLVA	External wiring single wire highly flexible 1,5 mm ² , 5 m long each terminal
	<i>Additional-/ reduction price per meter</i>

Special model

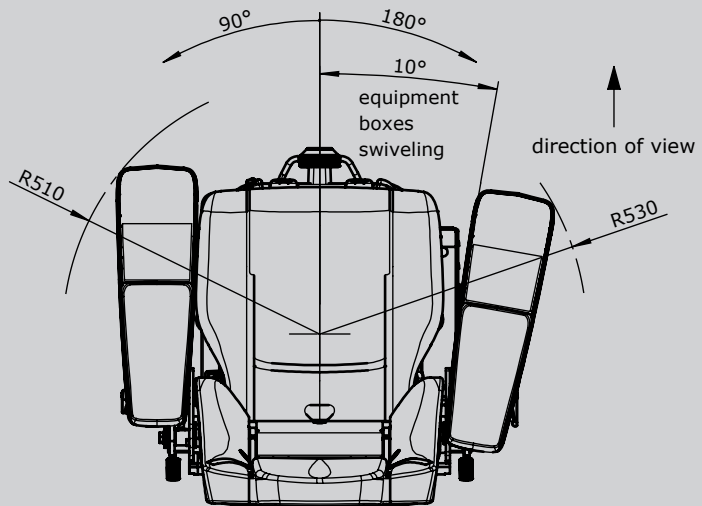
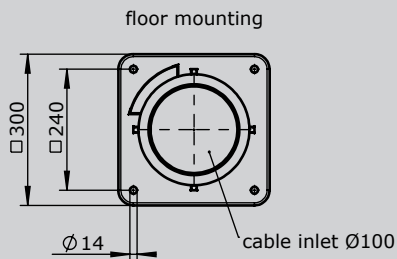
X	Special / customer specified
X	Special painted

Crane Control Unit

KST31 swiveling



3



*adjustable

Technical details may vary based on configuration or application! Technical data subject to change without notice!